

Storm Door Catalog ²⁰¹²



Storm Doors
Hardware
Accessories



Storm Doors

Every storm door is individually customized to the highest standards in the residential market for homeowners who appreciate impeccable, uncompromising quality.



291 Full View



Storm Door Paint Finishing System

Paint is electrostatically applied with a vertical hydraulic reciprocator using a turbo disc that atomizes the paint particles for better coverage of contoured extrusions.



Storm Door Paint Colors

To select stain color, refer to our color selector for accurate color representation.

Snow Mist	Cafe Cream	Chateau	Sandpiper Beige	Sandstone
Sterling Gray	Clay	Geneva Blue	Forest Green	Mountain Berry
Rustic Bronze	Tudor Brown	Coal Black		

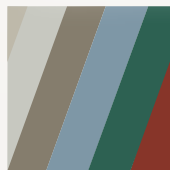
Limited Colors

Available on entry doors and storm doors.

Matching cladding and caulking not available.

Primrose Yellow
Enzian Blue
Vallis Red

Storm Door Construction



Durable, oven-baked polyester finishes are backed by a Lifetime Warranty for lasting beauty and low maintenance.



Extruded aluminum frame adds beauty to your door by virtue of the rounded **cove molding along the glass edge** of the extrusion.

All our storm doors are constructed with **tempered safety glass**.



You'll appreciate the finished look of our **color matched aluminum installation screw covers**.

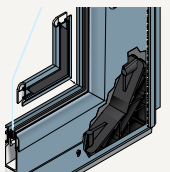
Each door features **quality hardware** that adds beauty and functionality to your new storm door. Varies by model.



Sashes are secured by our **color matched polycarbonate clips or an internal sash lock system**. Varies by model.



Smooth function is essential. That's why we include a **quality door closer** in every storm door package. Varies by model.



Corrosion proof corner gussets enhance the structural integrity of the door.

Color matched bottom expanders allow for a beautiful custom fit to any entry.



Our bottom expander with sweep allows for adjustment to ensure a snug fit as needed. Varies by model.



Storm Door Details

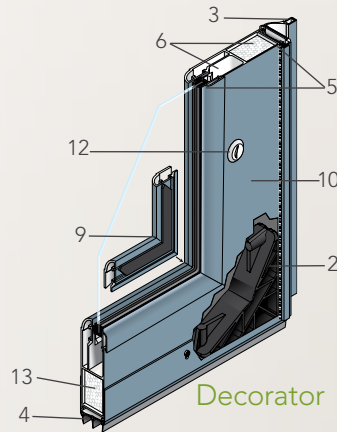
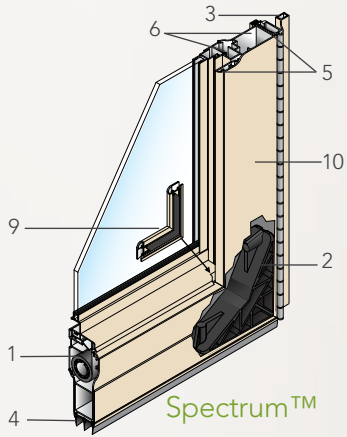
The details are the small things that set our storm doors apart from the competition. A lot of small things add up to a big difference.

Our storm doors excel in Beauty, Durability, Security and Energy Efficiency. And we offer a Lifetime Limited Transferable Warranty on all our storm doors.



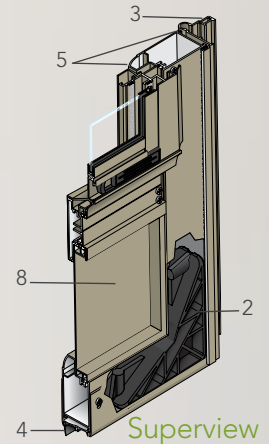
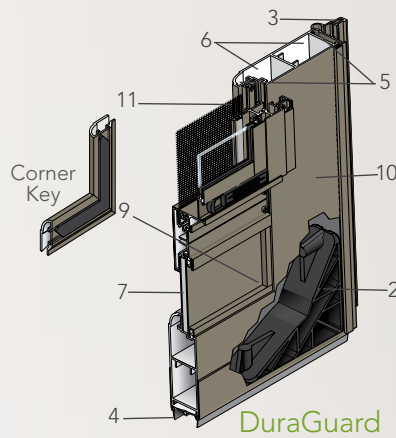
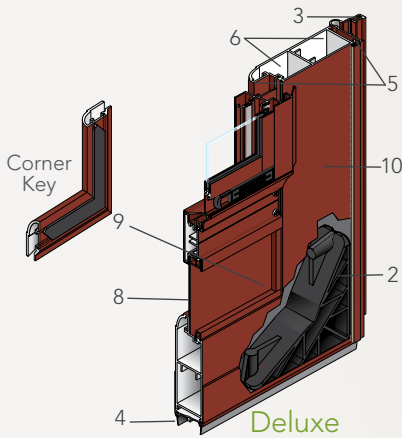
595 Full View Double Prairie with Beveled Glass

Storm Door Construction



Internal Sash Lock System

This spring-loaded, flush mounted lock secures the glass virtually eliminating rattles and air leaks.



Construction

	Spectrum™	Decorator	Deluxe	DuraGuard	Superview
1 InVent™ Retractable Screen System	●				
2 Outside corners are secured to corrosion proof gussets, for structural integrity	●	●	●	●	●
3 Color matched aluminum installation screw covers enhance the appearance of your door	●	●	●	●	●
4 The bottom sweep eliminates drafts	Triple	Triple	Double	Double	Single
5 The sculptured frame adds durability	1¼" x 4⅞"	1¼" x 4"	1¼" x 3⅞"	1¼" x 3⅞"	1¼" x 2⅞"
6 Multi-hollow construction provides greater strength and security than standard storm doors	●	●	●	●	
7 The reinforced aluminum kick panel adds durability	●			●	
8 The aluminum kick panel resists rust and adds strength			●		●
9 Corner keys provide added support to the inside of the door frame	●	●	●	●	
10 Aluminum wall thickness up to 20% thicker than industry standard	●	●	●	●	
11 The .023 gauge stainless steel screen offers extra security and protection (12 x 12 mesh)				●	
12 Sash/Screen secured by internal lock system or color matched polycarbonate clips		Internal Lock	Clips	Clips	Clips
13 Standard insulated frame core offers increased energy efficiency		●			
14 Screen included	●	Optional	●	●	●

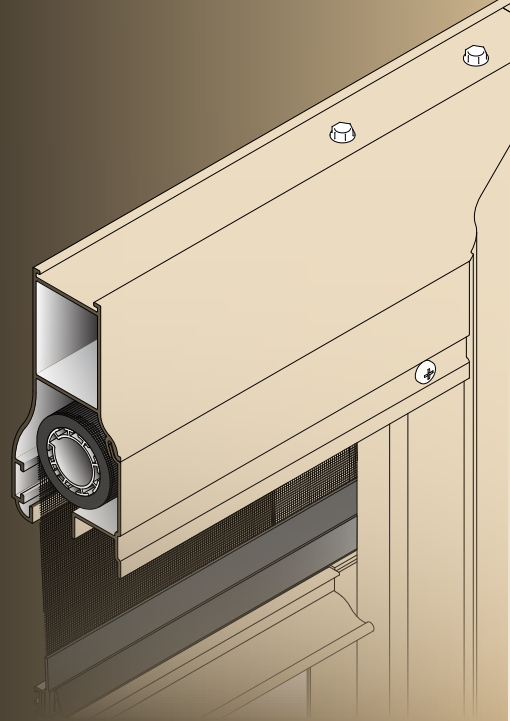
storm doors

Spectrum™

Spectrum Series brings you smooth functionality, beauty and durability. Our exclusive top & bottom InVent™ retractable screen system allows you more venting options than ever.



291 Full View



Featuring top and bottom InVent™ Retractable Screens

Spectrum Storm Doors Include:

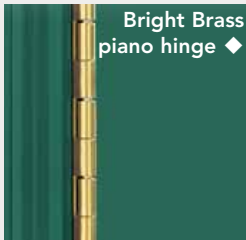
- Two InVent™ retractable screens with Compound Tension sashes
- Triple seal bottom sweep
- 1¼" x 4⅜" wide sculptured frame

Standard Hardware & Accessories

Bright Brass Sierra solid brass mortise hardware ♦



Bright Brass piano hinge ♦



1½" brass-look bottom expander

Color matched dual closers



♦ Satin nickel hardware, piano hinge and bottom expander are standard on Spectrum storm doors with zinc caming and Inspirations Art Glass.

Spectrum Styles



#296-B Full View Double Prairie with Beveled Glass and Brass Inlay



#296-Z Full View Double Prairie with Beveled Glass and Zinc Inlay*



#295 Full View Double Prairie with Beveled Glass



#291 Full View*
* Inspirations Glass available in #291 Full View



#298-B Three-quarter View with Beveled Glass and Brass Inlay



#298-Z Three-quarter View with Beveled Glass and Zinc Inlay*



#298-VG Three-quarter View with Beveled Glass



#298 Three-quarter View



#292 Provincial Half-Lite



#293 Crossback Half-Lite



#279 Flush Half-Lite



#291SH Full View

INSPIRATIONS™
art glass



#298SH Three-Quarter View



#274SH Half-Lite



#298-COS Cosmopolitan (Sedona)*



#298-AZT Aztec (Coral Reef)*



#298-TUL Tulips (Vineyard)*

Ask to see our Inspirations Art Glass brochure for our complete selection of designs, color palettes, and style availability.

Spectrum Storm Doors

Decorator series

Decorator Series provides a stylish, fresh look to accent your entry. Select one of the distinct styles from our Decorator Series storm doors.

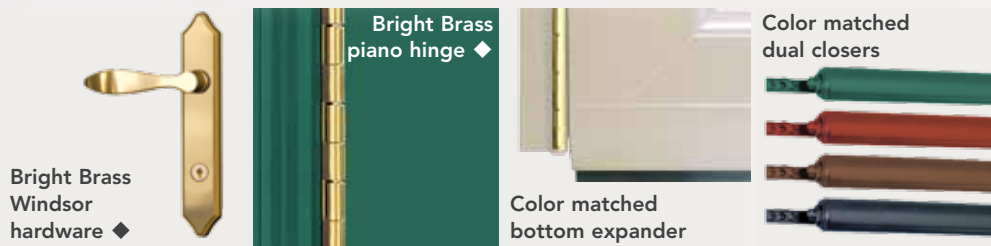


593-B Full View Archway with Beveled Glass & Brass Inlay

Decorator Series Storm Doors Include:

- Triple seal bottom sweep
- 1¼" x 4" wide sculptured frame

Standard Hardware & Accessories



◆ Satin Nickel hardware and piano hinge are standard on Decorator storm doors with zinc caming and Inspirations Art Glass.

Decorator Styles



#591 Full View Archway with Beveled Glass



#593-B Full View Archway with Beveled Glass & Brass Inlay



#593-Z Full View Archway with Beveled Glass & Zinc Inlay*



#595 Full View Double Prairie with Beveled Glass



#596-B Full View Double Prairie with Beveled Glass & Brass Inlay



#596-Z Full View Double Prairie with Beveled Glass & Zinc Inlay*



#590 Full View

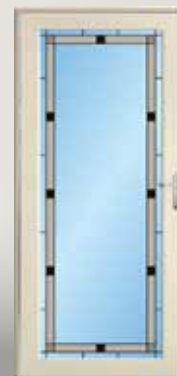


INSPIRATIONS[®]
art of glass

Ask to see our Inspirations Art Glass brochure for our complete selection of designs, color palettes, and style availability.



590-SYN Synergy (Vineyard)*



590-VIN Vintage (Timberland)*

Decorator Storm Doors

Optional full screen with horizontal stabilizer bar available for all Decorator doors.

series Deluxe

Deluxe Series is the answer whether you're looking for additional light, ventilation or protection from the elements. You'll find the exact style you're looking for in our Deluxe Series of storm doors.



382 Full View with Beveled Glass

Deluxe Series Storm Doors Include:

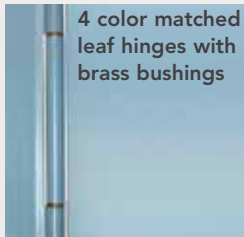
- Double seal bottom sweep
- 1 1/4" x 3 5/8" wide sculptured frame
- BetterVue™ Fiberglass Screen



Standard Hardware & Accessories



Black Contemporary Curve lever with deadbolt



4 color matched leaf hinges with brass bushings



Color matched bottom expander



Heavy-duty color matched closer

Deluxe Styles



#385 Full View Double Prairie with Beveled Glass
Includes screen*



#382 Full View with Beveled Glass
Includes screen*



#397 Full View
Includes screen*



#391 Full View Divided Lite
Includes top screen



#396-V One-Lite with fixed .023 gauge stainless steel screen ventilated bottom & removable sash
Includes top screen*



#396 One-Lite
Includes screen*



#399 Self-Storing
Includes full screen*



#398 Hi-Lite
Includes top screen



#389 Self-Storing
Includes full screen*



#392 Provincial Self-Storing
Includes full screen*



#394 Provincial
Includes screen



#393 Crossbucket Self-Storing
Includes full screen*



#395 Crossbucket
Includes screen



#379 Self-Storing
Includes full screen*

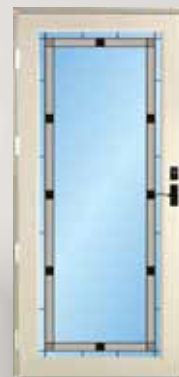


#374 Flush Half-Lite
Includes screen



INSPIRATIONS[®]
art glass

Ask to see our Inspirations Art Glass brochure for our complete selection of designs, color palettes, and style availability.



#397-VIN
Vintage (Timberland)

Deluxe Storm Doors

* Full and One-Lite screens have horizontal stabilizer bar.

series DuraGuard

DuraGuard is exactly what you need if you're concerned about keeping your small children and pets safely inside, select one of our doors with heavy-duty non-removable stainless steel screening.



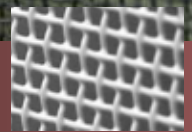
097 Screen Door

DuraGuard Series Storm Doors Include:

- Double seal bottom sweep
- Fixed .023 stainless steel screen
- 1¼" x 3⅝" wide sculptured frame



.023 stainless steel black screen is standard

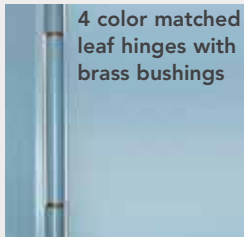


Also available in white

Standard Hardware & Accessories



Black Contemporary Curve lever with deadbolt



4 color matched leaf hinges with brass bushings



Color matched bottom expander



Heavy-duty color matched closer

DuraGuard Styles



#097 Screen Door
#097-G With glass insert



#096 Screen Door
#096-G With glass insert
Reinforced kick panel



#096-GV With ventilated bottom and removable top and bottom sashes



#099 Self-Storing Sash & screen
Reinforced kick panel



#074 Flush Half Lite (Removable sash)
Reinforced kick panel



#094 Provincial Half Lite (Removable sash)
Reinforced, Dent-resistant kick panel



#095 Crossbuck Half Lite (Removable sash)
Reinforced, Dent-resistant kick panel



#092 Provincial Self-Storing Includes full screen
Reinforced, Dent-resistant kick panel



#093 Crossbuck Self-Storing Includes full screen
Reinforced, Dent-resistant kick panel



#079 Self-Storing Includes full screen
Reinforced kick panel


series
Superview

Superview offers a selection of storm doors constructed for style and value in one complete package.



896 One-Lite

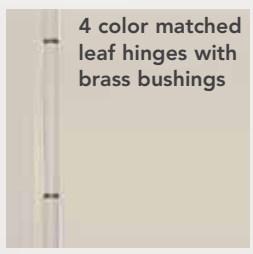
Superview Series Storm Doors Include:

- Single seal bottom sweep
- 1 1/4" x 2 5/8" sculptured frame
- BetterVue™ Fiberglass Screen 

Standard Hardware & Accessories



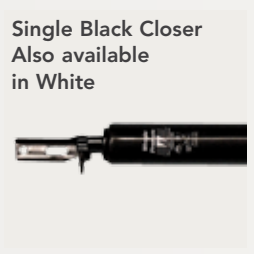
Black Pull Handle
Also available in White



4 color matched leaf hinges with brass bushings



Color matched bottom expander



Single Black Closer
Also available in White

Superview Styles



#897 Full View
Includes screen*



#896 One-Lite
Includes screen*



#898 Hi-Lite
Includes top screen

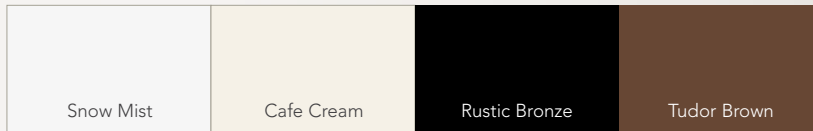


#899 Self-Storing
Includes bottom
screen



#895 Crossbuck
Includes screen

Superview storm doors are available in the following colors only:



To select stain color, refer to our color selector for accurate color representation.

Mortise Hardware

Mortise Hardware adds a special touch to your storm door with a solid brass handleset to suit your style. Our mortise hardware conveniently allows you to use the same key for your storm door and your ProVia entry door.



Our mortise hardware features a multi-point locking system for added strength and security not found on typical consumer-grade storm door hardware.



Satin Nickel Sierra Mortise Hardware

Sierra (Solid Brass Mortise)



DH 274



DH 273



DH 278



DH 266



Sierra Interior

Venice (Solid Brass Mortise)



DH 276



DH 275



DH 279



DH 267



Venice Interior

Hardware Finish Availability

Hardware Availability

Exterior Handle Styles	LIFETIME Bright Brass	LIFETIME Satin Nickel	LIFETIME Aged Bronze	10-Year Finish Antique Brass	Spectrum™	Decorator	Deluxe	DuraGuard	Superview
Sierra	●	●	●	●	Standard	■	■	■	
Venice	●	●	●	●	■	■	■	■	

● Interior handle finish matches exterior handle ■ Available as an option

Mortise hardware requires a factory handleset prep and is not available on expander and double french doors.

Hardware

With both elegance and durability, our hardware makes the right first impression. Choose from our wide selection of solid hardware to customize your storm door.

Exterior Handles

Townsend



NEW!
for 2012

Windsor



NEW!
for 2012

Contemporary Curve Lever



Push Button



Pull Handle



Interior Handles



Hardware Finish Availability

Exterior Handle Styles	LIFETIME Bright Brass	LIFETIME Satin Nickel	LIFETIME Aged Bronze	1-Year Antique Brass	1-Year White	1-Year Black	Spectrum™	Decorator	Deluxe	DuraGuard	Superview
Windsor	●	●	●	●			■	Standard	■	■	■*
Townsend	●	●	●	●			■	■	■	■	■*
Contemporary Curve	●	●	●	●	●	●	■	■	Standard †	Standard †	■*
Push Button (DH201 & DH202)					●	●			■	■	■*
Push Button (DH192)						●					■
Pull Handle					●	●					Standard

● Interior handle finish matches exterior handle ■ Available as an option † Standard color is black or white * Not available on Superview Model #899

Storm Door Accessories

can add a touch of class to your new look.

Freedom Pet Door

Factory Installed -
Available on Flush Doors Only

- Solid aluminum construction with spring loaded interior cover
- Soft single flap for a tight weather seal
- White mitered aluminum frame with white aluminum cove
- Also available on entry doors
See page 76 of the ProVia Catalog
- Also available on additional storm door styles. See page 130 of the ProVia Price List



#279 Flush Half-Lite
with Pet Door Option

#379 Self-Storing
with Pet Door Option
Includes full screen



Medium

8 $\frac{1}{8}$ " x 11 $\frac{3}{4}$ " opening for pets up to 40 lbs.

Large (shown)

10 $\frac{1}{8}$ " x 15 $\frac{3}{4}$ " opening for pets up to 100 lbs.

Storm doors with a pet door come with only a single (top) closer.

Piano Hinge and Bottom Expander



Brass-look piano hinge
and brass-look bottom expander



Satin Nickel
piano hinge
and Satin
Nickel bottom
expander



Aged Bronze
piano hinge
and Aged
Bronze bottom
expander

Easy-Set Closer



Just a slight push on the cap and it'll stay open.
Push door open further and it releases. Color matched
to door.

Magazine & Mail Slot



Bright Brass, Satin Nickel and
Aged Bronze magazine and
mail slots. Available on #074,
#079, #279, #374 and #379.



THE PROFESSIONAL WAY

Doors • Windows • Siding • Stone

www.proviaproducts.com

© 2012 ProVia

P-MK-00085-12 • 11/11 75M - H

Distributed by: